

## ePump

The automatic pneumatic pressure generator ePump, portable and electric, with range -0.85 bar ... +10 bar relative allows to check an instrument simultaneously against a precision instrument (IKA 200 reference manometer). By comparing the two measurement values, the accuracy can be deduced and thus the instrument can be adjusted and/or checked. Thanks to a fine adjustment valve, it allows reaching the measurement value with precision. The ePump pressure generator can be used with any pressure gauge, so there is no need to buy a new one. Simply replace your current hand pump with an automatic ePump and get to work easily and efficiently.



### APPLICATIONS

On-site calibrations and verifications  
Pressure generation range -0.85 ... +10 bar  
For all kind of pressure equipments

### HIGHLIGHTS

Fast pressure generation  
Autonomous, portable, compact and light equipment  
High precision thanks to fine adjustment valve  
4.1" screen easy and intuitive

### General data

The electric pneumatic pressure generator with range -0.85 ... +10 bar relative

Generates positive pressure automatically and adaptively.

Generates vacuum pressure automatically.

Operation by rechargeable batteries (autonomy max. 4 hours). Fast charging.

4.1" full color touch screen with pressure indication, battery level indication

8 units of measure, selectable:

Bar, PSI, Pa, mH<sub>2</sub>O, inH<sub>2</sub>O, mmHg, inHg, Kg/cm<sup>2</sup>

Resolution 0.1.

Allows the generation of direct pressure or by scales (generation of automatic jumps selectable).

START function for pressure generation.

Safety STOP function.

Battery charge indication.

The pressure, vent and vacuum function is selected by means of a mechanical selector.

Fine adjustment function, thanks to a lateral free rotation.

Process connection 1/8" BSP.

In case of contamination by liquids, it allows the valves to be cleaned.

T-piece for mounting the pump

0.5 m hose with 1/4" NPT female plug-in port for the reference instrument

0.5 m hose with 1/4" BSP female plug-in port for the test element

Optional threaded adapter kits available

#### Tecnical data

<b>Pressure Range</b>	-0.85 ... 10 bar
<b>Medium</b>	Air
<b>Pressure Connection</b>	ePump 1/8" BSP instrument T connection with 2 pressure ports 1/4" BSP female and 1/2" BSP female
<b>Fine pressure adjustment</b>	Fine adjustment valve, adjustable thanks to a fine nut (very sensitive)
<b>Mechanical selector</b>	Pressure, vent and vacuum
<b>Material</b>	Steel, chrome-plated anodized aluminum, resistant plastic
<b>Dimensions</b>	98 x 108 x 93 mm (without T-piece and adapters)
<b>Weight</b>	approx. 980 g (without T-piece and adapters)
<b>Standard accessories</b>	Test element connection tube, length 0.5 m

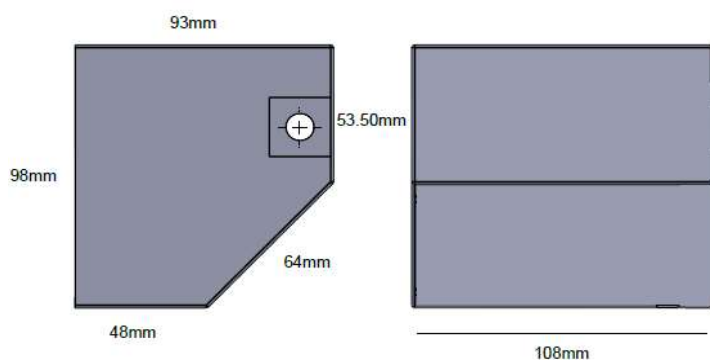
#### INCLUDED IN THE SUPPLY

Pressure generator, rechargeable battery, charger  
T-piece for the pump  
0.5 m hose with 1/4" NPT plug-in port  
0.5 m hose with 1/4" BSP plug-in port  
Instruction manual

#### OPTIONAL

Transport bag  
Interchangeable Ion Lithium Battery  
Set of adapters and a set of seals for the connection of the test element 1/4" BSP male to G 1/8", G 3/8" and G 1/2" female  
Set of adapters and a set of seals for the connection of the test element 1/4" BSP male to M12 x 1.5, M20 x 1.5 Minimes®  
Set of adapters and a set of seals for the connection of the test element 1/4" BSP male to 1/8" NPT, 1/4" NPT, 3/8" NPT and 1/2" female NPT  
Anodized aluminum base for calibration of instruments, free turning thread M20\*1.5  
Reference precision pressure gauge IKA 200

Dimensions



Calibration base



**Cal Power**

Via Acquanera, 29 22100 COMO  
tel. 031.526.566 (r.a.) fax 031.507.984  
info@calpower.it www.caltower.it